

- ▶ G99 Issue 1 Amendment 6
- ▶ Improved frequency and ROCOF precision
- ▶ Improved CT Saturation Stabilization
- ▶ Improved design of the PC tools
- ▶ Configurable SCADA protocols:
- ▶ Modbus, Profibus, IEC 60870-5-103/-104, DNP3

All HighPROTEC devices have been type tested and certified by KEMA Laboratories (IEC 60255-1:2009).

APPLICATION

The MCDTV4 offers an all-in-one solution for HV, MV and LV transformers and it offers much more than just a differential protection package.

Furthermore it can detect critical operation states based on voltage measurement (e.g. Overexcitation). The MCDTV4 provides in addition to that an Interconnection package. This can be used for mains protection at the point of common coupling (e.g. for directional reactive power undervoltage protection). The integrated backup protection package enables the MCDTV4 to act as backup protection (e.g. for downstream breakers). Additional features like demand management are available without extra charge. The protection functions of the MCDTV4 have been adapted to comply with the requirements of the VDE-AR-N-4110:2018.

COMPREHENSIVE TRANSFORMER PROTECTION PACKAGE

- ▶ The Phase and Ground Differential protection package detects electrical faults within the transformer.
- ▶ Two elements overexcitation protection (overfluxing)
- ▶ Overload / Thermal replica for detection of long lasting minor overcurrents
Six elements (voltage dependent) time overcurrent protection (ANSI/IEC/51C/51V)
- ▶ Frequency measurement improved (5mHz from 45-55 Hz)
- ▶ Multiple power elements (Pr, P, Q, S, PF...)
- ▶ Negative phase sequence protection
- ▶ Multi level overvoltage protection with settable reset ratio
- ▶ Multi level undervoltage protection with settable reset ratio
- ▶ Buchholz supervision via digital input
- ▶ Unbalanced voltage protection
- ▶ Optional temperature supervision via external URTD-box with 12 sensors
- ▶ Wattmetric Ground Fault Protection

INTERCONNECTION PACKAGE

- ▶ Non-discriminating active power direction depending load shedding
- ▶ FRT (LVRT): Settable FRT-Profiles, optional AR coordinated
- ▶ QV-Protection: Undervoltage-Reactive
- ▶ Power protection

- ▶ Automatic Reconnection
- ▶ Frequency protection:
6 elements configurable as f<, f>, df/dt (ROCOF), vector surge
- ▶ CB-Intertripping
- ▶ Synchro-check (Generator to mains, mains-to-mains)

RECORDERS

- ▶ Disturbance recorder: 120 s non volatile
- ▶ Fault recorder: 20 faults
- ▶ Event recorder: 300 events
- ▶ Trend recorder: 4000 non volatile entries

PC TOOLS

- ▶ Setting and analyzing software
Smart view free of charge
- ▶ Including page editor to design own Control pages
- ▶ SCADApter to re-assign datapoints for Retrofit projects: Modbus, Profibus, IEC 60870-5-103/ -104

CONTROL

- ▶ up to six breakers (or isolators/grounding switches)
- ▶ Breaker wear

COMMISSIONING SUPPORT

- ▶ Customizable Display (Single-Line)
- ▶ Customizable Inserts
- ▶ Copy and compare parameter sets
- ▶ Configuration files are convertible



- ▶ Forcing and disarming of output relays
- ▶ Fault simulator: current, voltage
- ▶ Graphical display of tripping characteristics
- ▶ 8 languages selectable within the relay

COMMUNICATION OPTIONS

- ▶ IEC 61850, Profibus DP
- ▶ Modbus RTU and/or Modbus TCP
- ▶ IEC 60870-5-103/-104
- ▶ DNP 3.0 (RTU, TCP, UDP)
- ▶ SCADApter for Retrofit

CYBER SECURITY

- ▶ Menu for the activation of BDEW-White-paper-compliant security settings (e.g. hardening of interfaces)
- ▶ Security Logger
- ▶ Centralized Security Logs (Syslog)
- ▶ Encrypted Connection Smart view - Device
- ▶ Device specific certificates (No man in the middle attacks)
- ▶ Multi-Password-Level

LOGIC

- ▶ Up to 80 logic equations for protection, control and monitoring

TIME SYNCHRONISATION

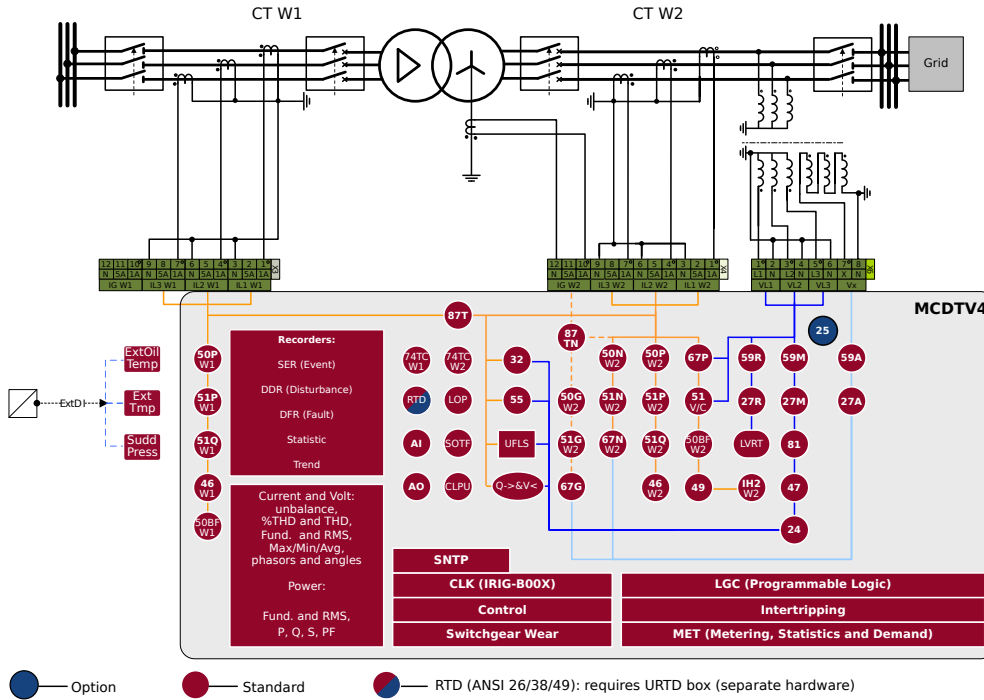
- ▶ SNTP, IRIG-B00X, Modbus, DNP 3.0, IEC 60870-5-103/-104

FUNCTIONAL OVERVIEW

	Elements	ANSI
Protective Functions		
Transformer differential protection, Id>, Id>>	2	87T
Restricted earth fault IdE>, IdE>>	4	87TN / 64REF
I, time overcurrent and short circuit protection Tremendous reset options (instantaneous, definite time, reset characteristics according to IEC and ANSI)	6	50P, 51P, 67P
Voltage controlled overcurrent protection by means of adaptive parameters		51C
Voltage dependent overcurrent protection		51V
Negative phase sequence overcurrent protection		51Q
I2>, unbalanced load protection with evaluation of the negative phase sequence currents	2	46
ThR, overload protection with thermal replica and separate pick-up values for alarm and trip functions	1	49
IH2/In, inrush detection with evaluation of the 2nd harmonic	2	Inrush
IG, earth overcurrent and short circuit protection, all elements can be configured for directional (multi-polarising) or non-directional supervision. Multiple reset options (instantaneous, definite time, reset characteristics according to IEC and ANSI)	4	50N/G, 51N/G, 67N/G
IE, sensitive wattmetric earth overcurrent- and short circuit trip, all steps directional or non-directional	4	50Ns, 51Ns, 67Ns
V<, V>, V(t)<, under- and overvoltage protection, time dependent undervoltage protection	6	27, 59
Voltage asymmetry supervision (V012)		
V1, under and overvoltage in positive phase sequence system	6	47
V2, overvoltage in negative phase sequence system		
Each of the six frequency protection elements can be used as: f<, f>, df, dt, ROCOF, DF/DT, vector surge, ...	6	81U/O, 81R, 78
VX, residual voltage protection or bus bar voltage for Synch Check	2	27A, 59A, 59N
ExP, External alarm and trip functions	4	
Ext Sudd Press: Embedding sudden pressure via Digital Input	1	
Ext Temp Superv: Embedding external temperature supervision via Digital Input	3	
Ext Oil Temp: Embedding external oil temperature via Digital Input	1	
PQS, Power protection	6	32, 37
PF, Power factor	2	55
LVRT (FRT- Low Voltage Ride Through including optional controlled by AR-feature)	27 (t)	27 (t, AR)
Q(V) Protection (undervolt. dep. directional reactive power protection with reclosing disengaging)		
UFLS (non-discriminating active power direction depending load shedding)		
10-Minutes-Mean-Square-Sliding Supervision: adjustable according to VDE-AR 4105		
Synch Check		25
Volts / Hertz	2	24
RTD temperature supervision via optional RTD-Box with 12 sensors		26
Control and Logic		
Control: Position indication, supervision time management and interlockings for up to 6 breakers		
Logic: Up to 80 logic equations, each with 4 inputs, selectable logical gates, timers- and memory- function		
Supervision Functions		
CBF, circuit breaker failure protection	2	50BF / 62BF
TCS, trip circuit supervision	2	74TC
LOP, loss of potential	1	60FL
FF, fuse failure protection via digital input	1	60FL
CTS, current transformer supervision	2	60L
CLPU, cold load pickup	1	
SOTF, switch onto fault	1	
THD supervision		
Breaker wear with programmable wear curves		
Recorders: Disturbance recorder, fault recorder, event recorder, trend recorder		

The protective functions of the MCDTV4 have been extended to meet the requirements of VDE-AR-N-4110:2018.

FUNCTIONAL OVERVIEW IN ANSI / IEEE C37.2 FORM



APPROVALS / STANDARDS



certified regarding UL508
(Industrial Controls)

certified regarding
CSA-C22.2 No. 14
(Industrial Controls)

certified by EAC
(Eurasian Conformity)



Type tested and certified by KEMA
Laboratories in accordance with the
complete type test requirements of
IEC 60255-1:2009.

Fulfills the requirements of the German grid code
standard VDE-AR-N 4110 (2018-11)

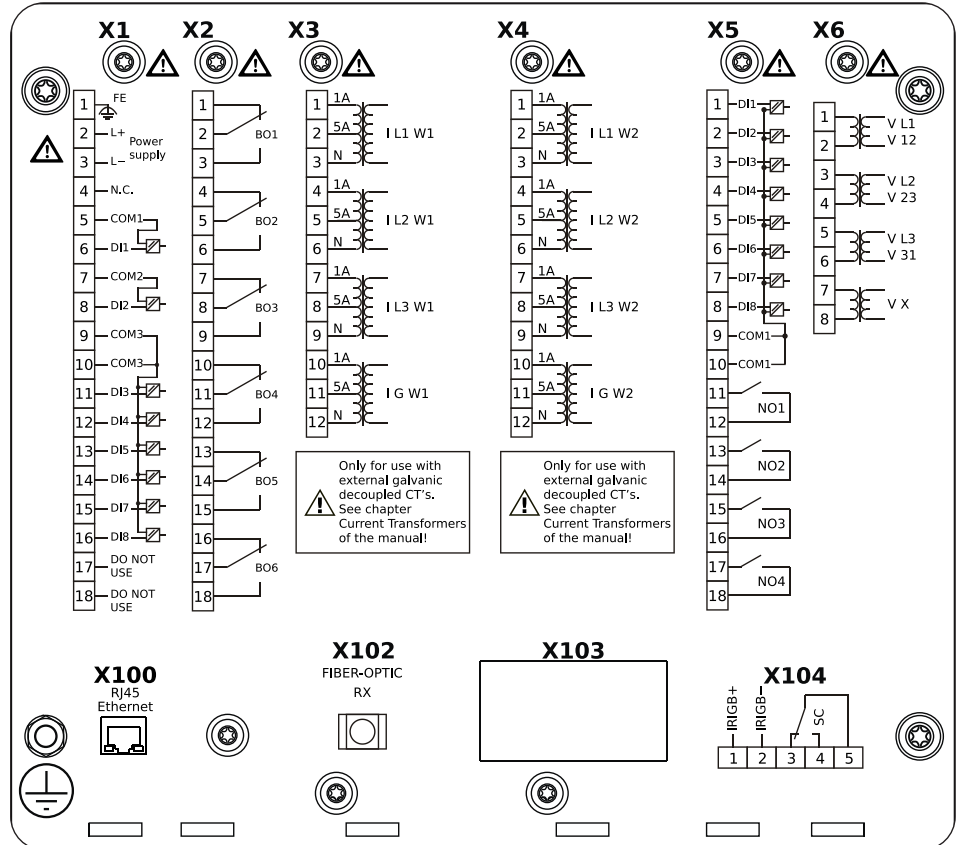
Complies with "Engineering Recommendation G99
Issue 1 Amendment 6 - March 2020".

Complies with IEEE 1547-2003.

Amended by IEEE 1547a-2014.

Complies with ANSI C37.90-2005.

CONNECTIONS (EXAMPLE)



ORDER FORM MCDTV4

Transformer Differential Protection					MCDTV4	-2
Version 2 with USB, enhanced communication and user options						
Digital Inputs	Binary output relays	Analog Inputs/Outputs	Housing	Large Display		
16	11	0/0	B2	X	A	
8	11	2/2	B2	X	B	
Hardware variant 2						
Phase Current 5 A/1 A, Ground Current 5 A/1 A					0	
Phase Current 5 A/1 A, W1 Sen. Gr. Curr. 5 A/1 A, W2 Gr. Curr. 5 A/1 A					1	
Phase Current 5 A/1 A, W1 Gr. Curr. 5 A/1 A, W2 Sen. Gr. Curr. 5 A/1 A					2	
Phase Current 5 A/1 A, W1/W2 Sen. Gr. Curr. 5 A/1 A					3	
Housing and mounting						
Housing suitable for door mounting					A	
Housing suitable for 19" rack mounting **					B	
Communication protocol						
Without protocol					A	
Modbus RTU, IEC60870-5-103, DNP3.0 RTU <i>RS485/terminals</i>					B*	
Modbus TCP, DNP3.0 TCP/UDP, IEC 60870-5-104 <i>Ethernet 100 MB/RJ45</i>					C*	
Profibus-DP <i>optic fiber/ST-connector</i>					D*	
Profibus-DP <i>RS485/D-SUB</i>					E*	
Modbus RTU, IEC60870-5-103, DNP3.0 RTU <i>optic fiber/ST-connector</i>					F*	
Modbus RTU, IEC60870-5-103, DNP3.0 RTU <i>RS485/D-SUB</i>					G*	
IEC61850, Modbus TCP, DNP3.0 TCP/UDP, IEC 60870-5-104 <i>Ethernet 100MB/RJ45</i>					H*	
IEC60870-5-103, Modbus RTU, DNP3.0 RTU <i>RS485/terminals</i>					I*	
Modbus TCP, DNP3.0 TCP/UDP, IEC60870-5-104 <i>Ethernet 100 MB/RJ45</i>					J*	
IEC61850, Modbus TCP, DNP3.0 TCP/UDP, IEC 60870-5-104 <i>Optical Ethernet 100MB/LC duplex connector</i>					K*	
Modbus TCP, DNP3.0 TCP/UDP, IEC 60870-5-104 <i>Optical Ethernet 100MB/LC duplex connector</i>					L*	
IEC60870-5-103, Modbus RTU, DNP3.0 RTU <i>RS485/terminals</i>					M*	
IEC61850, Modbus TCP, DNP3.0 TCP/UDP, IEC60870-5-104 <i>Ethernet 100 MB/RJ45</i>					T*	
Harsh Environment Option						
None					A	
Conformal Coating					B	
Available menu languages (in every device)						
English / German / Spanish / Russian / Polish / Portuguese / French / Romanian						

* Within every communication option only one communication protocol is usable. Smart view can be used in parallel via the Ethernet interface (RJ45).

The parameterizing- and disturbance analyzing software Smart view is included in the delivery of HighPROTEC devices.

Current inputs	4 (1 A and 5 A) with automatic CT Disconnect
Voltage inputs	4 (0 ... 800 V)
Digital Inputs	Switching thresholds adjustable via software
Analog Inputs (Type B)	0 ... 20mA / 4 ... 20mA / 0 ... 10V
Analog outputs (Type B)	0 ... 20mA / 4 ... 20mA / 0 ... 10V
Power supply	Wide range power supply 24 V _{DC} - 270 V _{DC} / 48 V _{AC} - 230 V _{AC} (-20/+10%)
Terminals	All terminals plug type
Type of enclosure	IP54
Dimensions of housing (W x H x D)	19" flush mounting: 212.7 mm x 173 mm x 208 mm 8.374 in. x 6.811 in. x 8.189 in. Door mounting: 212.7 mm x 183 mm x 208 mm 8.374 in. x 7.205 in. x 8.189 in.
Weight (max. components)	approx. 4.7 kg / 10.36 lb

19 " Variants Available! **



<https://docs.SEGelectronics.de/hpt-2>

CONTACT:

SEG Electronics GmbH
Krefelder Weg 47
D-47906 Kempen (Germany)
P.O.Box 10 07 55
D-47884 Kempen (Germany)

Sales

Telephone
+49 (0) 21 52 145 331
Telefax
+49 (0) 21 52 145 354
E-Mail
sales@SEGelectronics.de

Service & Support

Telephone
+49 (0) 21 52 145 614
Telefax
+49 (0) 21 52 145 354
E-Mail
support@SEGelectronics.de

For distributor information, visit

<http://www.SEGelectronics.de>

For more information please contact:

© SEG Electronics GmbH
www.SEGelectronics.de
All Rights Reserved | 11/2020